

**MULTOTEC**  
CANADA

# EXTRA FINE CLASSIFICATION CYCLONES

FC RANGE

## THE HEART OF THE MULTOTEC CYCLONE

### General Features

Designed for applications where very fine cut-points are required.

### Key features

- ◇ Scrolled evolute entry and rectangular inlet
- ◇ Moulded in highly abrasion-resistant polyurethane for longer wear life and lower operating costs
- ◇ Rapid assembly
- ◇ Replaceable high abrasion-resistant vortex finders
- ◇ Small cone angles

Diameter: 25, 40, 75 mm

Min flowrate: 0.2 @ 3.3 m<sup>3</sup>/h

Max flowrate: 1.6 @ 16.8 m<sup>3</sup>/h

Cutpoints@100kPa: 6 @ 12 μm



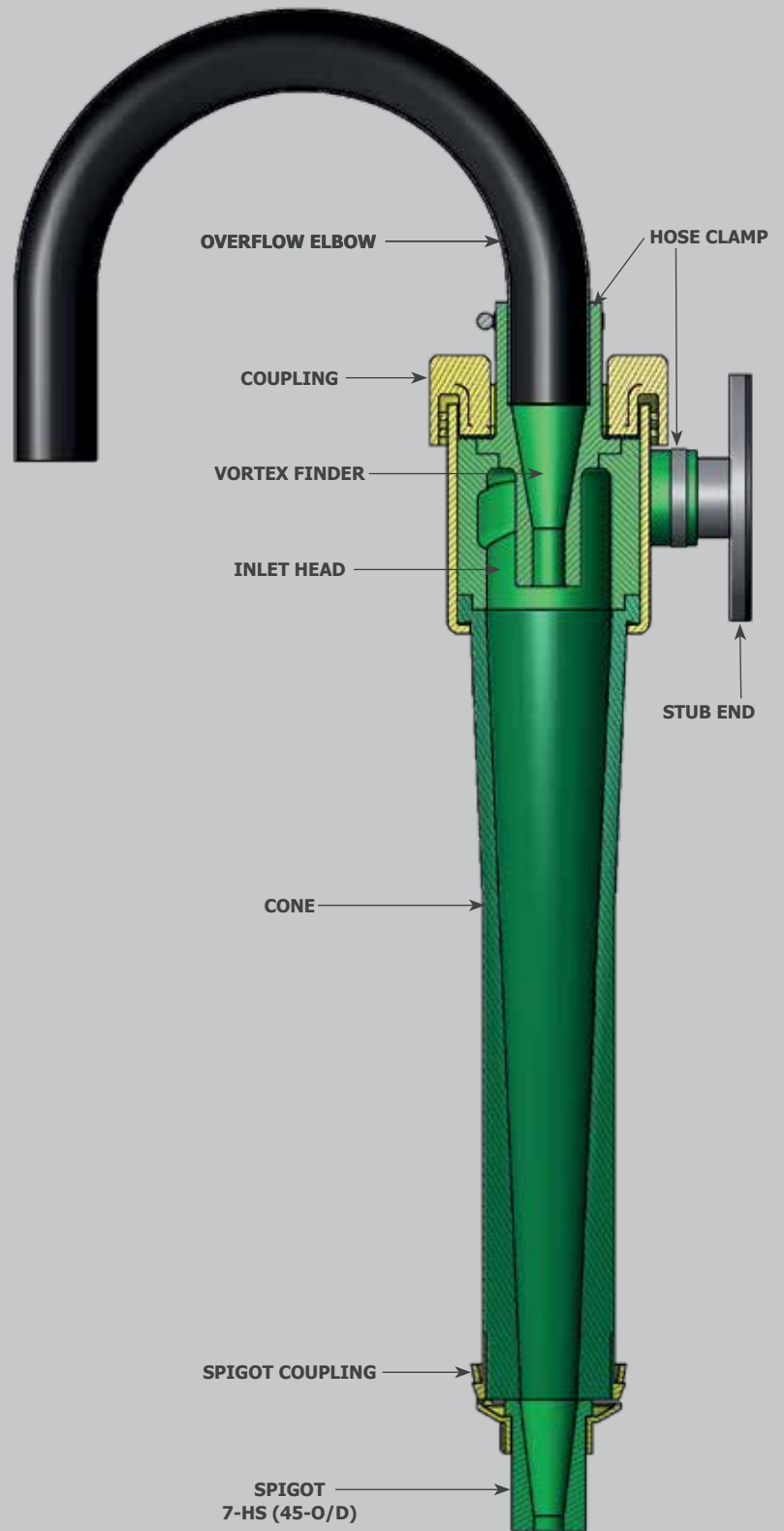
# Extra Fine classification cyclones FC Range

The Multotec FC cyclone range offers highly effective solutions for high volume super fine cut-point requirements in general classification applications, mostly for de-sliming applications. Currently the smallest diameter cyclone range industrially available in the mining industry, the unique FC range of cyclones was designed by Multotec to operate at high-feed pressures to achieve extremely fine cut-points (below 10  $\mu\text{m}$ ). It is also built to minimise wear while maintaining maximum cyclone efficiency.



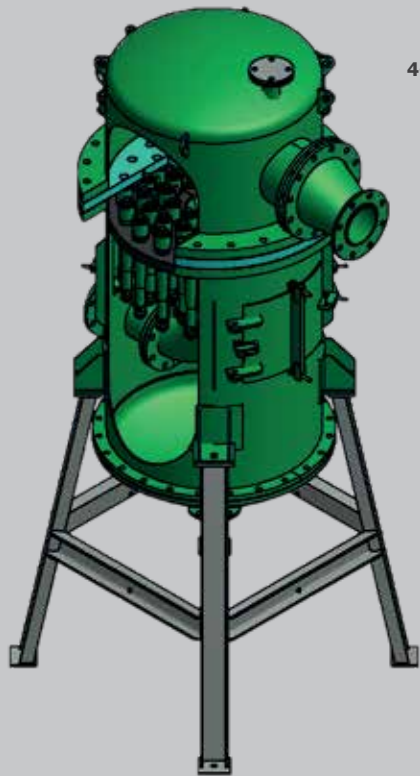
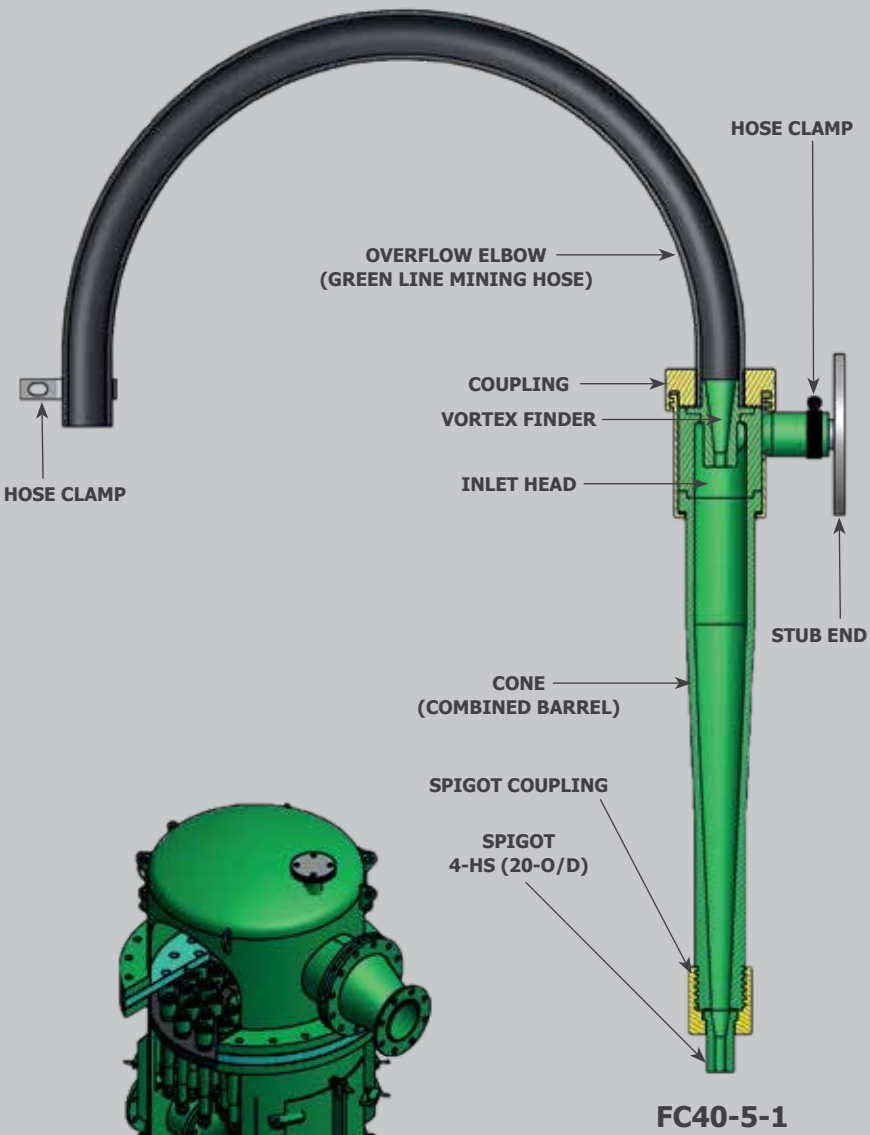
**FC cyclone radial distributor  
D4-7/4 c/w FC75-5-0**

## FC CYCLONE RANGE (CLASSIFICATION)



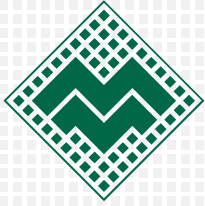
**FC75-5-0**

For multiple cyclone arrangement, the FC range can be fitted onto standard cyclone cluster or canisters. A canister arrangement is a self-standing unit with feed distributor, overflow and underflow tank where cyclones are inserted in a radial and compact manner. It is a very cost-effective alternative to a standard radial cluster with a limited layout requirement. See picture.



**FC CYCLONE CANISTER**  
**D48-4/48**  
**c/w FC40-5-1**



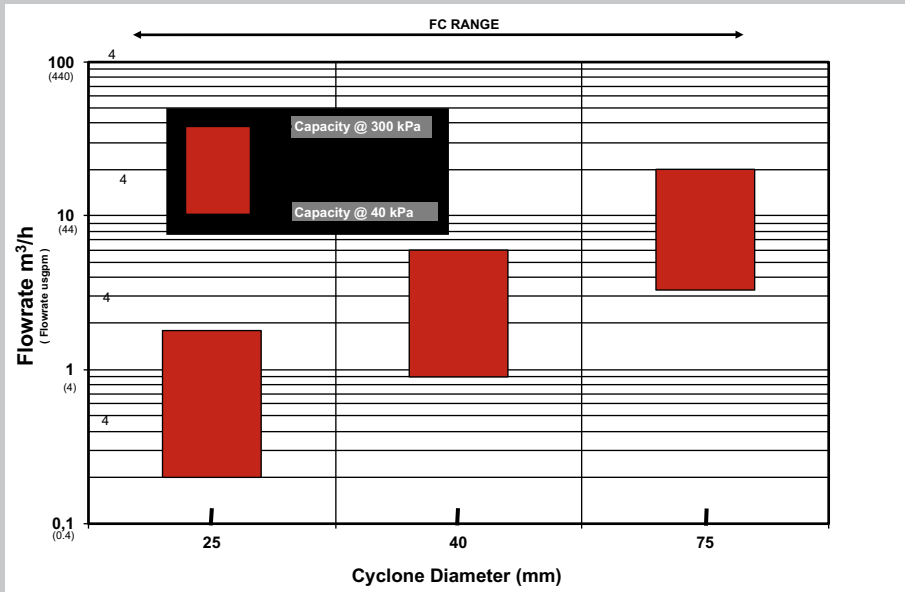


**MULTOTEC**  
CANADA

# EXTRA FINE CLASSIFICATION CYCLONES

FC RANGE

## CAPACITIES OF THE FC RANGE



## CUT-POINT RANGES FOR THE FC RANGE

